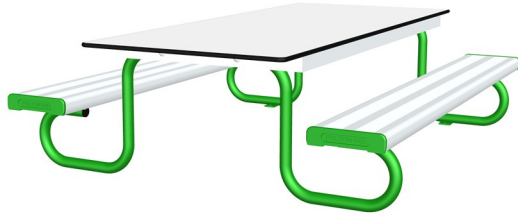


WARNING: READ THE ASSEMBLY INSTRUCTIONS CAREFULLY BEFORE ASSEMBLING THE LUNCH AND LEARN PARK SETTING PRIMARY SIZE.

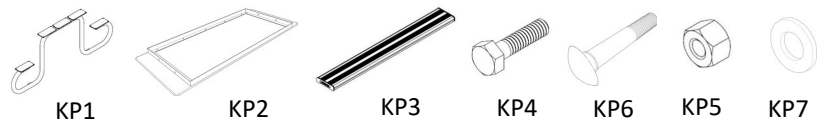


Make sure to wear protective gloves and foot protection when installing and assembling this product. Unpack the unit and make sure all the components are included before proceeding. This activity requires two or more people as lifting is involved. Please ensure bolts are only finger-tightened during the assembling process for flexibility in lining up components. Securely tighten the bolts before anchoring the product to the ground.



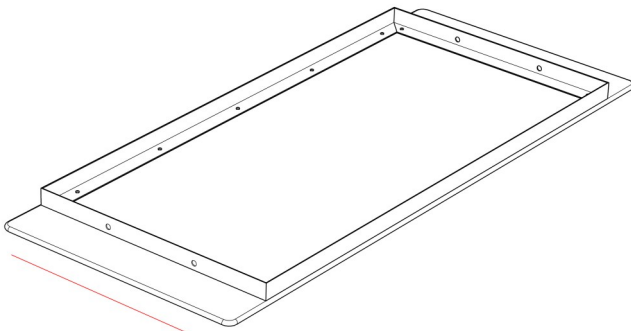
ASSEMBLY INSTRUCTIONS
EZYSEAT LUNCH AND LEARN PRIMARY STYLE
(Code No. EZYKPS8LT)

ITEM	DESCRIPTION	QTY
KP1	MAIN FRAME/LEG	2
KP2	TABLE BENCH	1
KP3	1800 mm. SEATING PLANK	2
KP4	M6x25mm. HEX. HEAD BOLT	16
KP5	M6 LOCKNUT	16
KP6	M12x70mm. CUP HEAD BOLT	4
KP7	M12 LOCKNUT	4
KP8	M12 WASHER	4



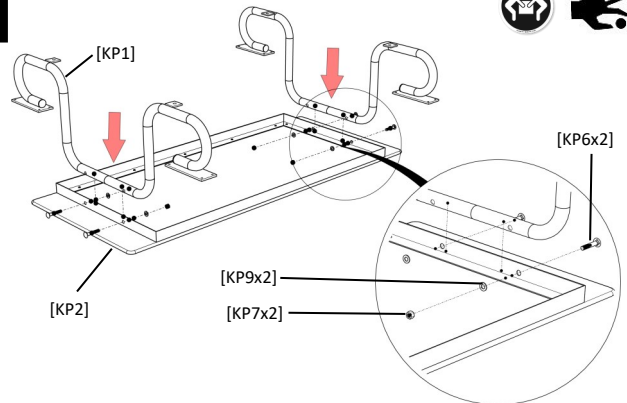
Thank you for purchasing our high quality products. *The Lunch and Learn Setting Primary Size has been manufactured with certified materials, to achieve high reliability and minimum maintenance. It is our commitment to provide cost effective solutions for outdoor applications.*

1



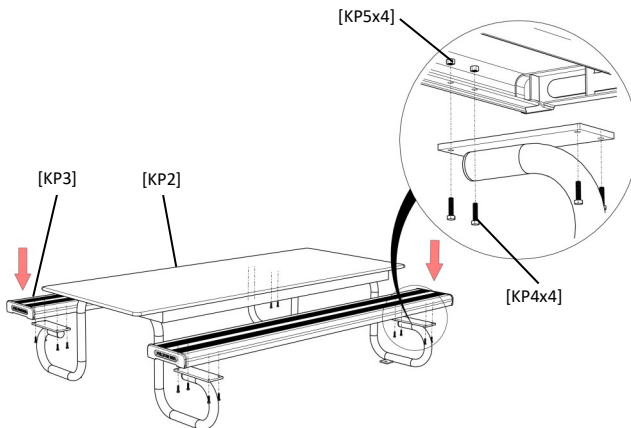
Lay the table bench (KP2) upside down on a flat surface. Avoid direct contact between the top bench and the ground, to prevent damages or scratches on its surface.

2



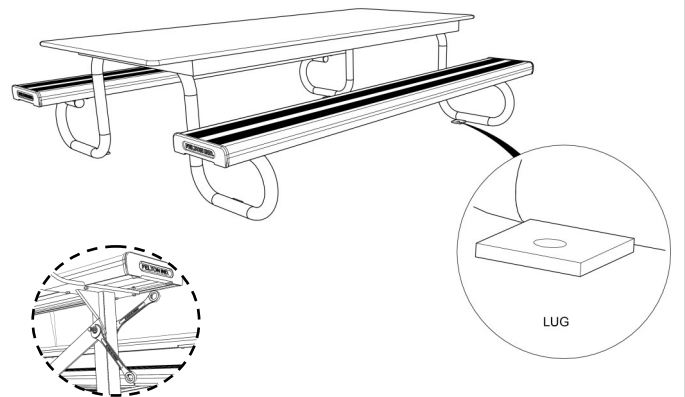
Have the main frames (KP1) frame in place, tags facing inward and connect them to the table bench (KP2), by using cup head bolts (KP6), locknuts (KP7) and washers (KP8).

3



Turn the entire assembly up and connect the two seating planks (KP3) to the main legs (KP1) as shown, by using with hexagonal head bolts (KP4) and nuts (KP5).

4



Tighten all bolting accessories with spanners and appropriate tools. Attach the whole unit to the ground, by using dyna-bolts on each frame leg.

P1