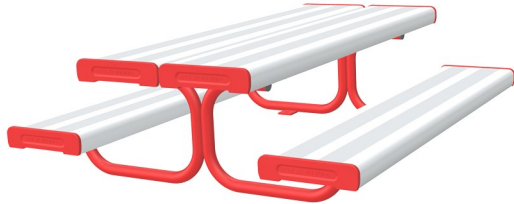


WARNING: READ THE ASSEMBLING INSTRUCTIONS CAREFULLY BEFORE ASSEMBLING THE EYZEAT LUNCH SETTING INFANT SIZE.

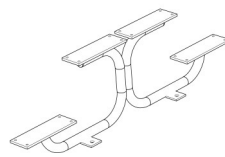


Make sure to wear protective gloves and foot protection when installing and assembling this product. Unpack the unit and make sure all the components are included before proceeding with the assembling. This activity requires two or more people as lifting is involved. Please ensure bolts are only finger-tighten during the assembling process for flexibility in lining up components. Securely tight the bolts before anchoring the product to the ground.



ASSEMBLING INSTRUCTIONS
EZY SEAT LUNCH SETTING INFANT SIZE
(Code No. EYZKPPS8)

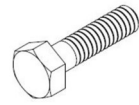
ITEM	DESCRIPTION	QTY
ESK1	MAIN FRAME	2
ESK2	SEAT / TABLE PLANK	4
ESK3	M6 x25mm. HEX. HEAD BOLT	32
ESK4	M6 LOCKNUT	32



ESK1



ESK2



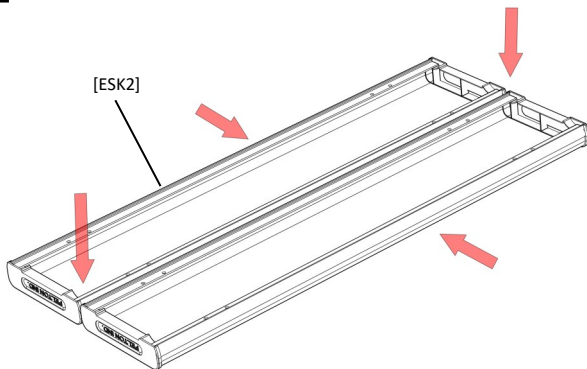
ESK3



ESK4

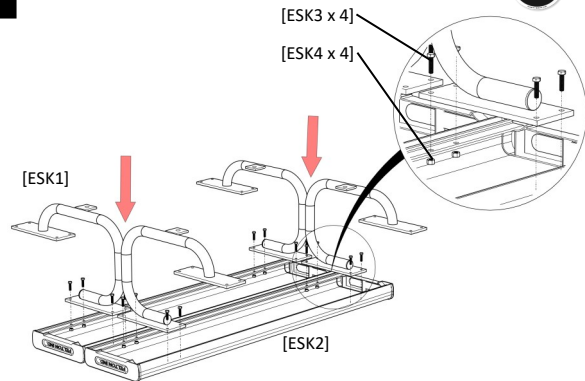
Thank you for purchasing our high quality products. *The Ezyseat Lunch Setting Infant Size has been well manufactured with certified materials, to achieve high reliability and minimum maintenance. It is our commitment to provide cost-effective solutions for outdoor applications.*

1



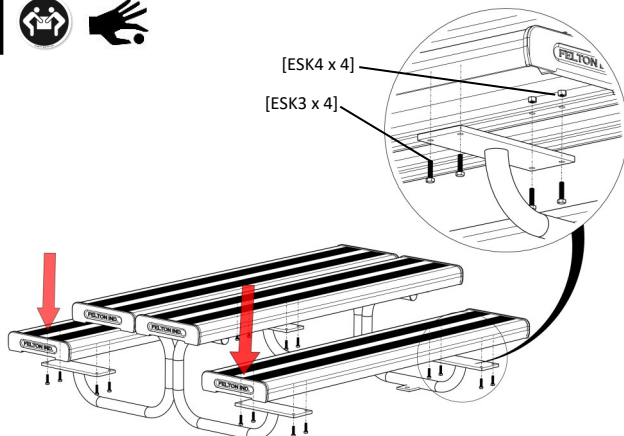
Lay 2 Aluminium planks (ESK2) upside down on a flat surface, making sure they are level at both ends.

2



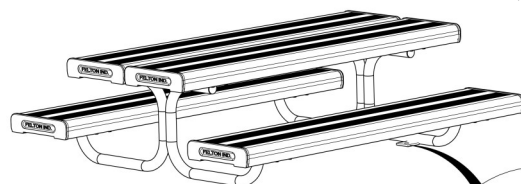
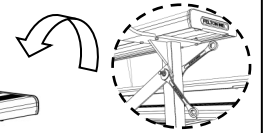
Bolt the two main frames (ES1) to the assembled planks (ES2), frame tags facing inward and upside bolts as per detail C.

3



Turn the entire assembly 180° and install two seat planks (ESK2) on the support seat supporting plates as illustrated. Attach the seat planks (ESK2) to the frames with hex. head bolts (ESK3) and locknuts (ESK4).

4



Tight the fasteners with spanners and appropriate tools.

Attach the whole unit to the ground, by using M12 dyna-bolts on each frame lug.

The EYZKPPS8 use is recommended for 1-2 years old infants.