



WARNING: READ THE ASSEMBLY INSTRUCTIONS CAREFULLY BEFORE ASSEMBLING THE EZYSEAT PARTY SIZE SNACK BAR SETTING PRIMARY SIZE.




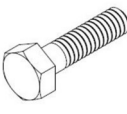
Make sure to wear protective gloves and foot protection when installing and assembling this product. Unpack the unit and make sure all the components are included before proceeding. This activity requires two or more people as lifting is involved. Please ensure bolts are only finger-tightened during the assembling process for flexibility in lining up components. Securely tighten the bolts before anchoring the product to the ground.




 <p>ASSEMBLY INSTRUCTIONS EZYSEAT PARTY SIZE SNACK BAR SETTING PRIMARY SIZE (Code No. EZYSBS4300P)</p>	ITEM	DESCRIPTION	QTY
	SBP1	TABLE FRAME/LEG	2
	SBP2	SEAT FRAME/LEG	8
	SBP3	1600mm. TABLE PLANK	2
	SBP4	1200mm. SIDE SEAT PLANK	2
	SBP5	500mm. END SEAT PLANK	2
	SBP6	M6 x25mm. HEX. HEAD BOLT	48
	SBP7	M6 LOCKNUT	48




SBP1/2

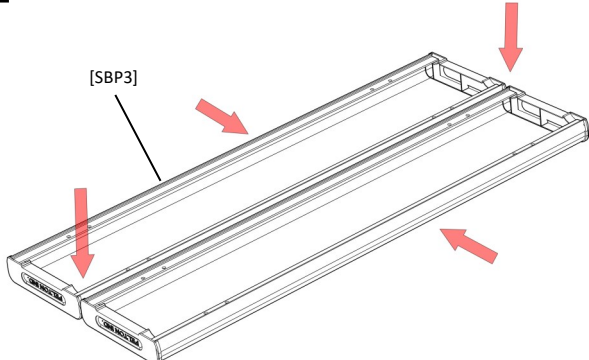

SBP3/4


SBP5




SBP6

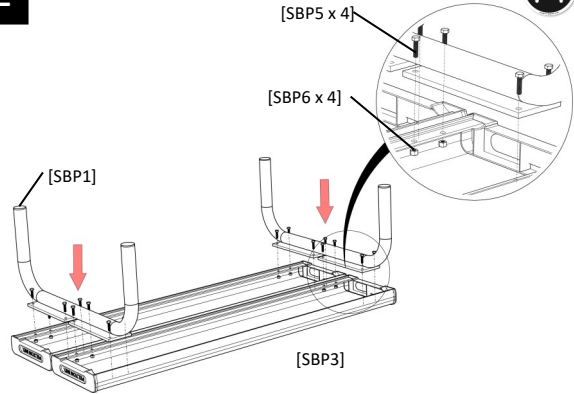
Thank you for purchasing our high quality products. *The Ezyseat Party Size Snack Bar Setting Primary Size has been well manufactured with certified materials, to achieve high reliability and minimum maintenance. It is our commitment to provide cost-effective solutions for outdoor applications.*

1  





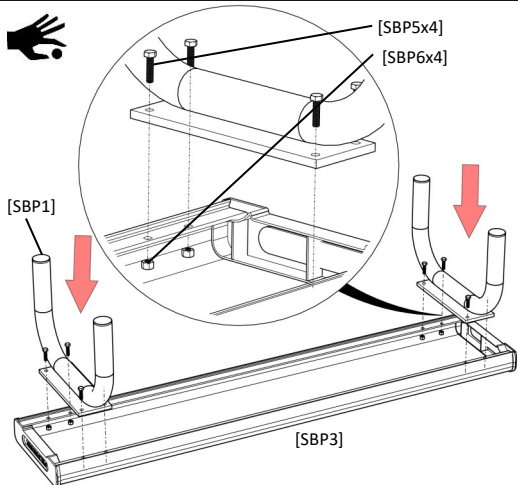
Lay 2 table planks **[SBP3]** upside down on a flat surface, making sure they are level at both ends.

2  




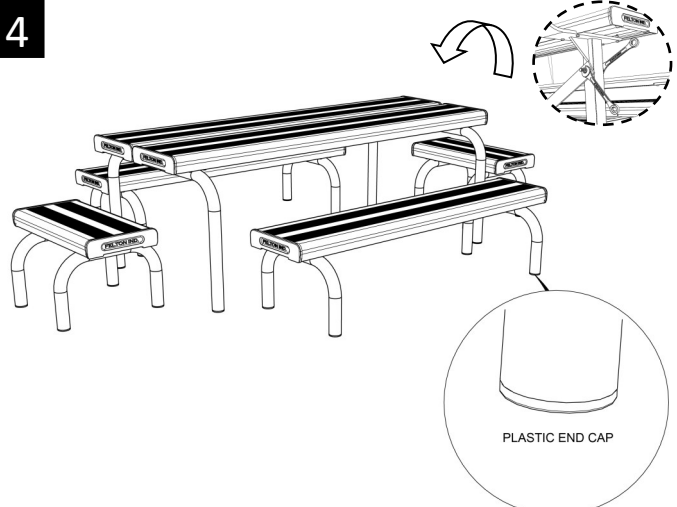
Bolt the two table frames/legs **[SBP1]** to the table planks **[SBP3]**, by using hex. head bolts **[SBP6]** and locknuts **[SBP7]** - finger tighten.

3  



Lay a seat plank **(SBP4/5)** upside down on a flat surface and attach to it the seat frame/leg **[SBP2]** as explained in the step 2. Repeat this same process until having both, two side and two end seats assembled correspondingly.

4 



Tight the fasteners with spanners and appropriate tools.
It is recommended to use the EZYSBS4300P for 5-8 years old infants, as well as to keep the product on firm level ground.

P1